

GF164GP

40 cm

Gas Powered Blower

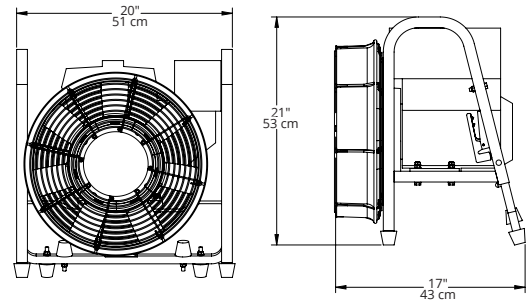
Tried and true, tested and trusted, conventional ventilators have stood the test of time. The GF series are the PPV fans that helped to build the RAMFAN brand in the industry and these economical gas fans are well known for their durability. Compact and light with outstanding close range ventilation using TurboForce™ technology to generate stronger, faster and more focused airflow than possible with conventional propeller designs.

Specifications

Model	GF164GP
Part	GB5001GP
Weight	27 kg
Impeller	7-Blade
Dimensions (h x w x d)	53 x 51 x 43 cm
Engine	Honda GP160, 163 cm³, 3.6 kW
Net Power	3.6 kW per SAE J1349
Noise	96.1 dB @ 1m
Run Time	1 hr 58 min

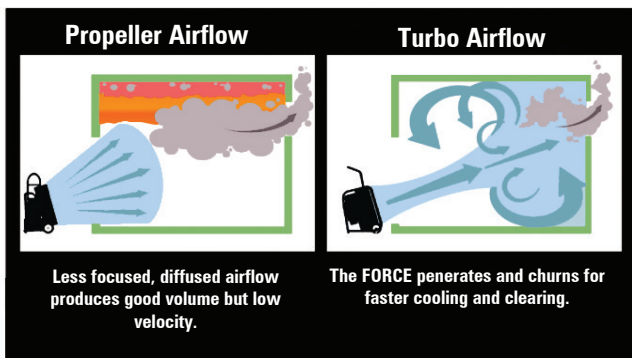
Note: Output changes as setback from the opening changes. Single door airflow is per AMCA 240-95 testing. This data derives from 0° static pressure. Real world results will be substantially reduced by structure backpressure. The GF164SE tested at 8 ft (2.4 m) setback at 16° tilt without stator vanes.

AMCA 240-95, as defined and tested by the third-party Air Movement and Control Association (AMCA), is tested through a standard area opening which represents a single-door structure opening most often used in fire fighting PPV operations. This test procedure is published and is the most accurate method for PPV airflow testing that currently exists. AMCA's testing center is available to all manufacturers of ventilators for performance verification to this standard. Due to its standardized, published testing procedure and third-party status, this is known internationally as the best testing method for comparing PPV fans. Verify performance data online at AMCA.org.



Performance

Airflow	
AMCA 240 tested	19,810 m³/hr

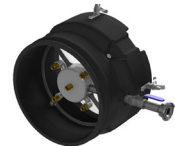


Available Accessories

Mister
Order # ED-MIST16



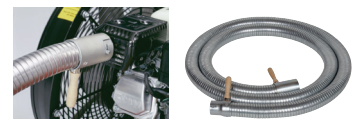
Foam Adapter
Order # HI-5000



Duct
Order # FDT-1615BR



BigBore™ Exhaust Diverter
Muffler Adapter: Order # GF7110CZ
Hose: Order # GF7115



060520